

SRF620 THRU SRF6200(SINGLE CHIP)

SCHOTTKY BARRIER RECTIFIER

Reverse Voltage - 20 to 200 Volts Forward Current - 6.0 Amperes

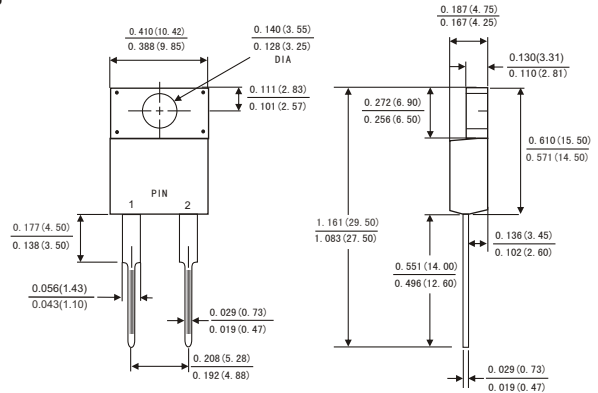


FEATURES

- Plastic package has Underwriters Laboratory Flammability Classification 94V-0
- Metal silicon junction ,majority carrier conduction
- Guard ring for overvoltage protection
- Low power loss ,high efficiency
- High current capability ,Low forward voltage drop
- Single rectifier construction
- High surge capability
- For use in low voltage ,high frequency inverters, free wheeling ,and polarity protection applications
- High temperature soldering guaranteed:260°C/10 seconds, 0.25"(6.35mm)from case
- Component in accordance to RoHS 2002/95/EC and WEEE 2002/96/EC



ITO-220AC



MECHANICAL DATA

- Case: JEDEC ITO-220AC molded plastic body
- Terminals: Lead solderable per MIL-STD-750,method 2026
- Polarity: As marked
- Mounting Position: Any
- Weight: 0.08ounce, 2.24 gram

Dimensions in inches and (millimeters)

MAXIMUM RATINGS AND ELECTRICAL CHARACTERISTICS

(Ratings at 25°C ambient temperature unless otherwise specified ,Single phase ,half wave ,resistive or inductive load. For capacitive load,derate by 20%.)

	Symbols	SRF 620	SRF 630	SRF 640	SRF 650	SRF 660	SRF 680	SRF 6100	SRF 6150	SRF 6200	Units	
Maximum repetitive peak reverse voltage	V_{RRM}	20	30	40	50	60	80	100	150	200	Volts	
Maximum RMS voltage	V_{RMS}	14	21	28	35	42	57	71	105	140	Volts	
Maximum DC blocking voltage	V_{DC}	20	30	40	50	60	80	100	150	200	Volts	
Maximum average forward rectified current 0.375"(9.5mm) lead length(see fig.1)	I_{AV}	6.0									Amps	
Peak forward surge current 8.3ms single half sine-wave superimposed on rated load (JEDEC method at rated T_J)	I_{FSM}	150.0									Amps	
Maximum instantaneous forward voltage at 6.0 A(Note 1)	V_F	0.60			0.75		0.85	0.90	0.95		Volts	
Maximum instantaneous reverse current at rated DC blocking voltage(Note 1)	I_R	$T_A = 25^\circ C$	0.2									mA
		$T_A = 100^\circ C$	50			25						
Typical junction capacitance(Note 3)	C_J	500			400						pF	
Typical thermal resistance (Note 2)	$R_{\theta JA}$ $R_{\theta JL}$					25.0						°C/W
						8.0						
Operating junction temperature range	T_J	-65 to +150									°C	
Storage temperature range	T_{STG}	-65 to +150									°C	

Notes: 1.Pulse test: 300 μ s pulse width,1% duty cycle

2.Thermal resistance from junction to lead vertical P.C.B. mounted , 0.375"(9.5mm)lead length

3.Measured at 1MHz and reverse voltage of 4.0volts

SRF620 THRU SRF6200(SINGLE CHIP)

SCHOTTKY BARRIER RECTIFIER

Reverse Voltage - 20 to 200 Volts Forward Current - 6.0Amperes



FIG.1-FORWARD CURRENT DERATING CURVE

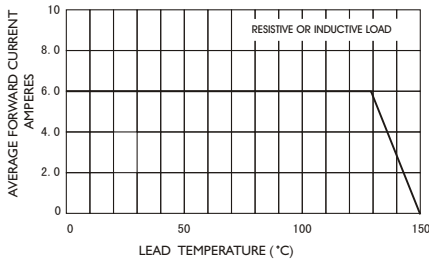


FIG.2-MAXIMUM NON-REPETITIVE PEAK FORWARD SURGE CURRENT

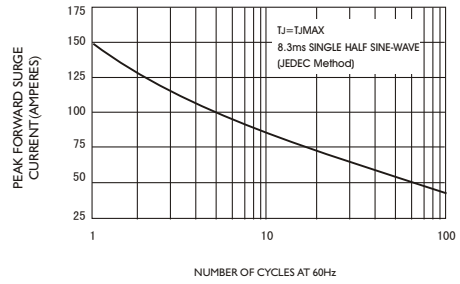


FIG.3-TYPICAL INSTANTANEOUS FORWARD CHARACTERISTICS

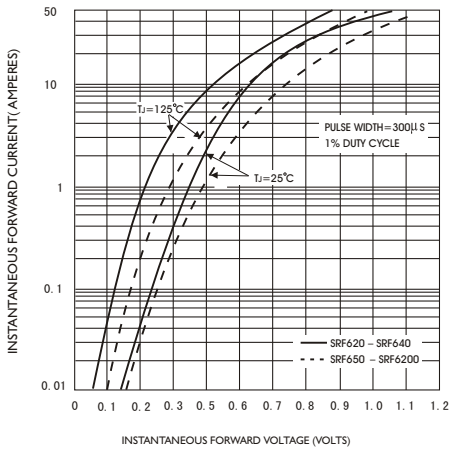


FIG.4-TYPICAL REVERSE CHARACTERISTICS

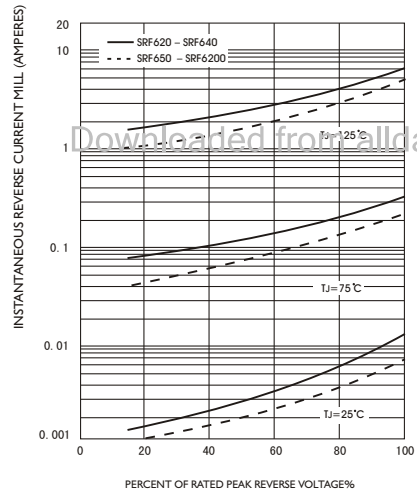


FIG.5-TYPICAL JUNCTION CAPACITANCE

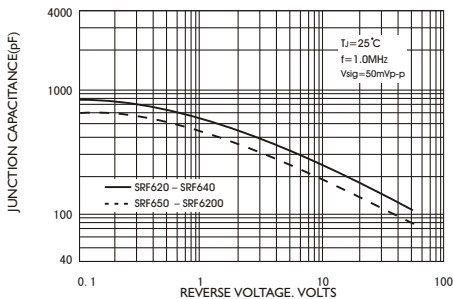


FIG.6-TYPICAL TRANSIENT THERMAL IMPEDANCE

